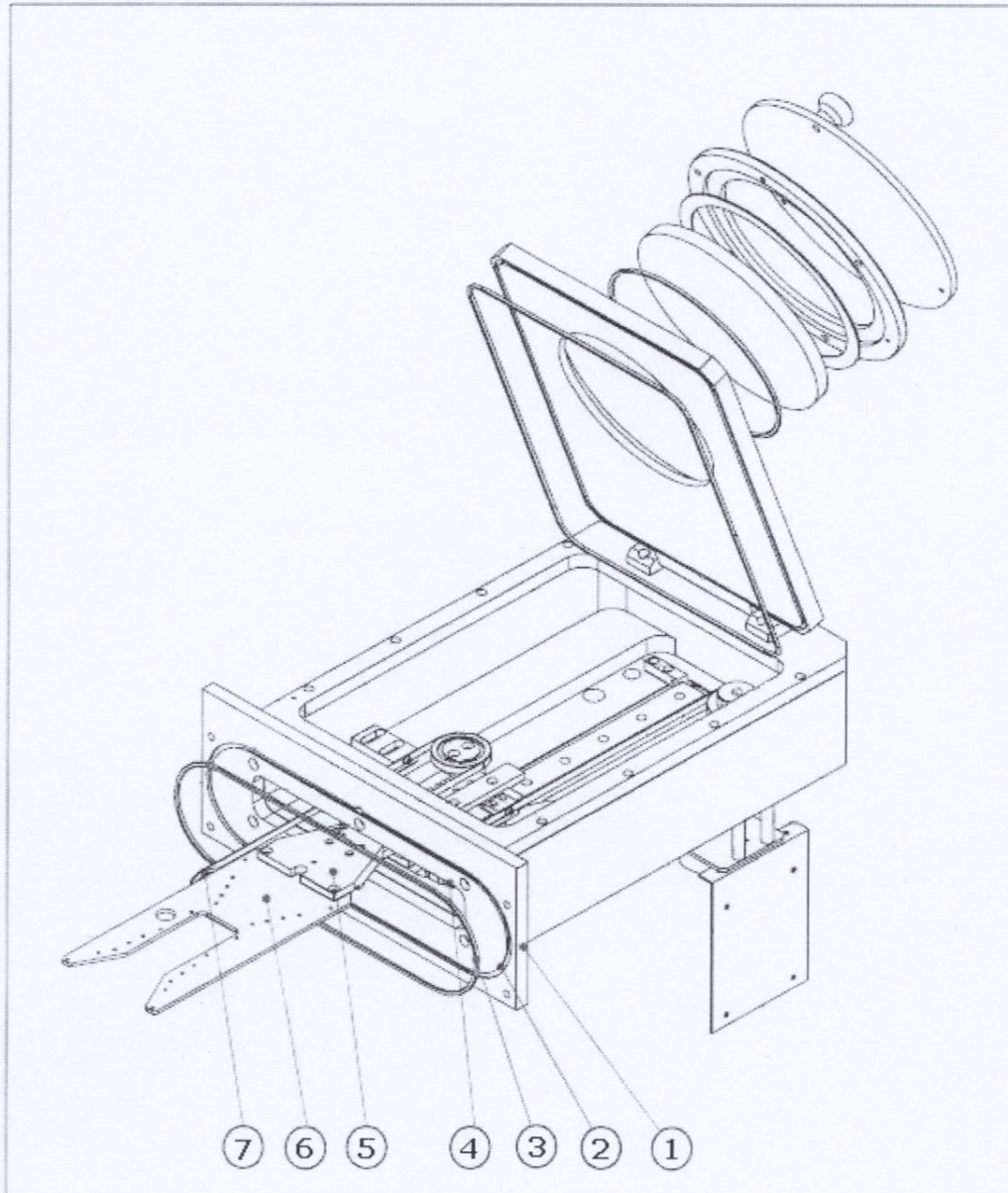


Rysunek



1	LOADLOCK/VALVE INTERFACE 2-RINGS
2	3.5 x 196.4 mm VITON 'O' RING BS263
3	3.5 x 221.85 mm VITON 'O' RING 200-269
4	LOWER FRONT PULLEY MOUNT
5	END EFFECTOR PLATE 2.2. Kg S/ST
6	END EFFECTOR 2.2. Kg S/ST RATE
7	DRIVEN PULLEY